

Technical data sheet



Product features

Cooling display 150 cm GN 1/4 pro stůl RTP-2D

Model	SAP Code	00008774
--------------	-----------------	----------



- Material: Stainless steel
- Number of GN / EN: 5
- Control type: Digital
- Minimum device temperature [°C]: 2
- Maximum device temperature [°C]: 8
- Unit: Right

SAP Code	00008774	Loading	230 V / 1N - 50 Hz
Net Width [mm]	1482	Number of GN / EN	5
Net Depth [mm]	336	GN device depth	150
Net Height [mm]	450	Minimum device temperature [°C]	2
Net Weight [kg]	46.00	Maximum device temperature [°C]	8
Power electric [kW]	0.178	Refrigerant	R290

Technical data sheet



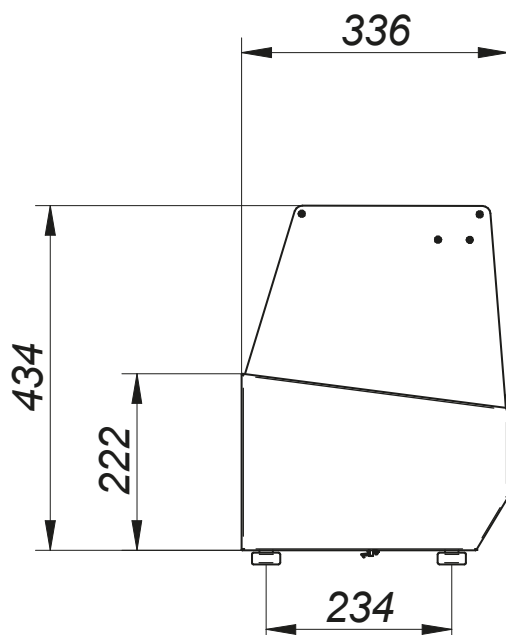
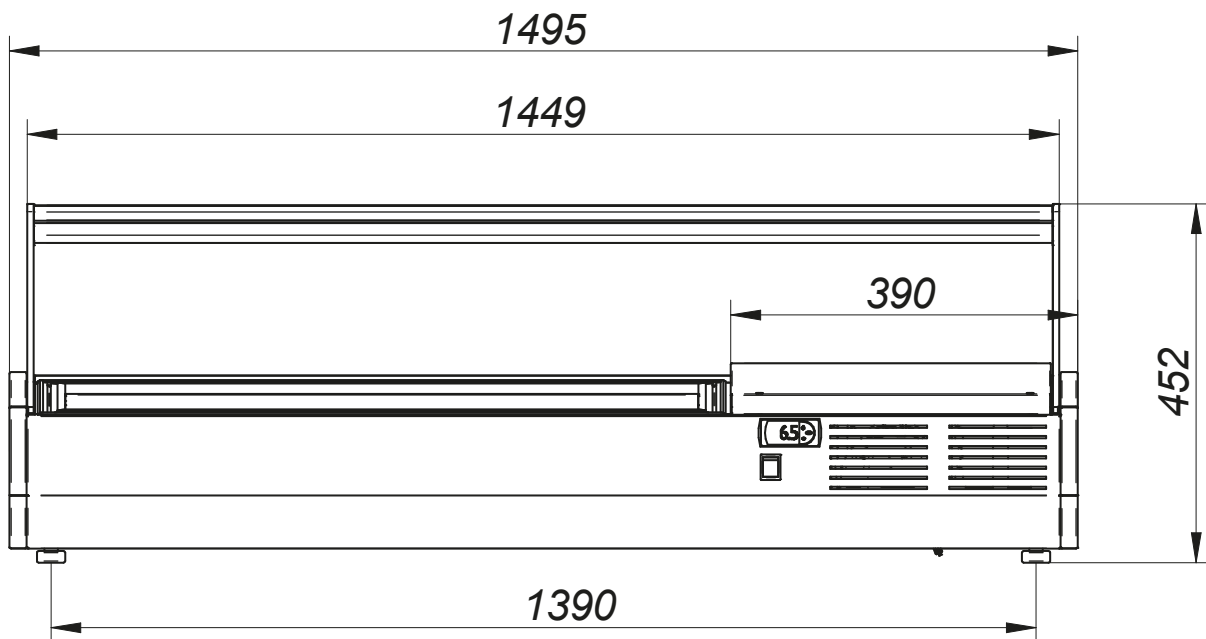
Technical drawing

Cooling display 150 cm GN 1/4 pro stůl RTP-2D

Model

SAP Code

00008774



Technical data sheet



Technical parameters

Cooling display 150 cm GN 1/4 pro stůl RTP-2D

Model

SAP Code

00008774

1. SAP Code:

00008774

2. Net Width [mm]:

1482

3. Net Depth [mm]:

336

4. Net Height [mm]:

450

5. Net Weight [kg]:

46.00

6. Gross Width [mm]:

1530

7. Gross depth [mm]:

400

8. Gross Height [mm]:

605

9. Gross Weight [kg]:

52.00

10. Device type:

Electric unit

11. Power electric [kW]:

0.178

12. Loading:

230 V / 1N - 50 Hz

13. Refrigerant:

R290

14. Cooling type:

Static with fan

15. Material:

Stainless steel

16. Device properties 2:

Cooling

17. Number of GN / EN:

5

18. GN device depth:

150

19. Standard equipment for device:

GN are not included in the package

20. Unit:

Right

21. Control type:

Digital

22. Minimum device temperature [°C]:

2

23. Maximum device temperature [°C]:

8